

MARANDA



V-325 V-365

Larger, stronger, better built

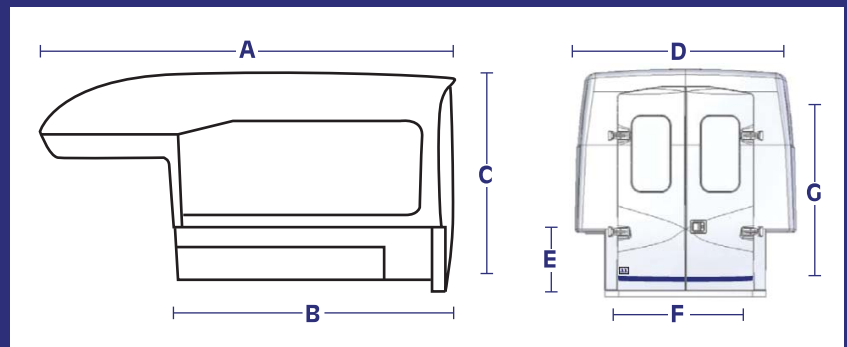


V-325 V-365

Inside dimensions:

- 12' of inside length
- 80' wide
- 76' of inside height
- Capacity of 400 pounds in the nose cone.
- The only capsules made with split molding process. No assembly joints providing rigidity and strength to the body.
- Smooth surface inside. Sanded and painted.
- Automotic slam latch door mechanism with automative quality.
- Keyless remote in option.
- Back-up camera compatible with truck manufacturer (installed screen in option).
- Fits on all full size truck.
- Pure resin, no filler = better resistance of the body.
- Noise free, odor free and improved safety for the driver.

MARANDA



V-325
6,5' bed

V-365
8' bed

A	B	C	D	E	F	G	Volume intérieur	Poids
131 1/2"	86"	74"	80"	19"	48 1/2"	68"	325ft ³	600 lbs
149 1/2"	101"	74"	80"	19"	48 1/2"	68"	365 ft ³	700 lbs

Montreal area

5930 Rue Barré
St-Hyacinthe, Qc
J2R 1E4

Quebec area

789 chemin Olivier, porte 5
St-Nicolas, Qc
G7A 2N1

1-800-646-6084

www.serdenmaranda.com