

 <p>880 2ème Rang Acton Vale , Qc J0H 1A0 1-800-646-6084 FAX Acton Vale:450-546-4137 St-Hyacinthe:450-253-7788</p>	Customer:	Retailer:
	Phone number:	
	Date:	
	Quotation number:	
	Salesperson:	
	Customer signature:	

INSIDE

- 34-13001**
Foam insulation
- 03-67003-** _____
Extra dome light

OUTSIDE

- 34-10001**
Rotary ventilator
- 30-23002**
Color keyed paint

JACK

- 30-37001**
4 jacks for enclosed unit
- 30-38002**
LOAD'N'GO

SECURITY DEVICES

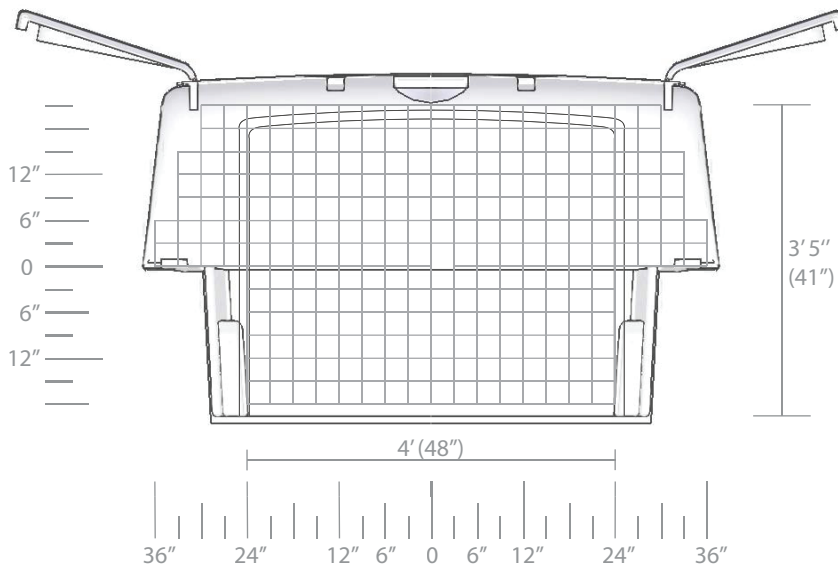
- 30-24002**
Device for S/S padlock
- 30-24003**
Solid steel shielded padlock

Code number.: _____



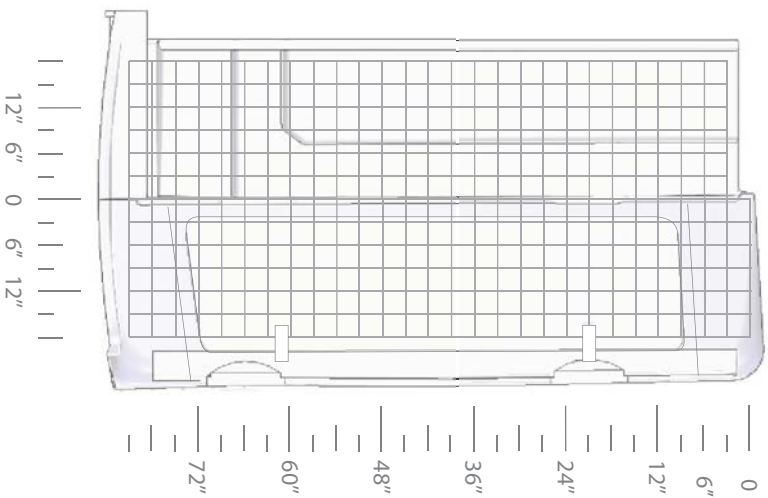
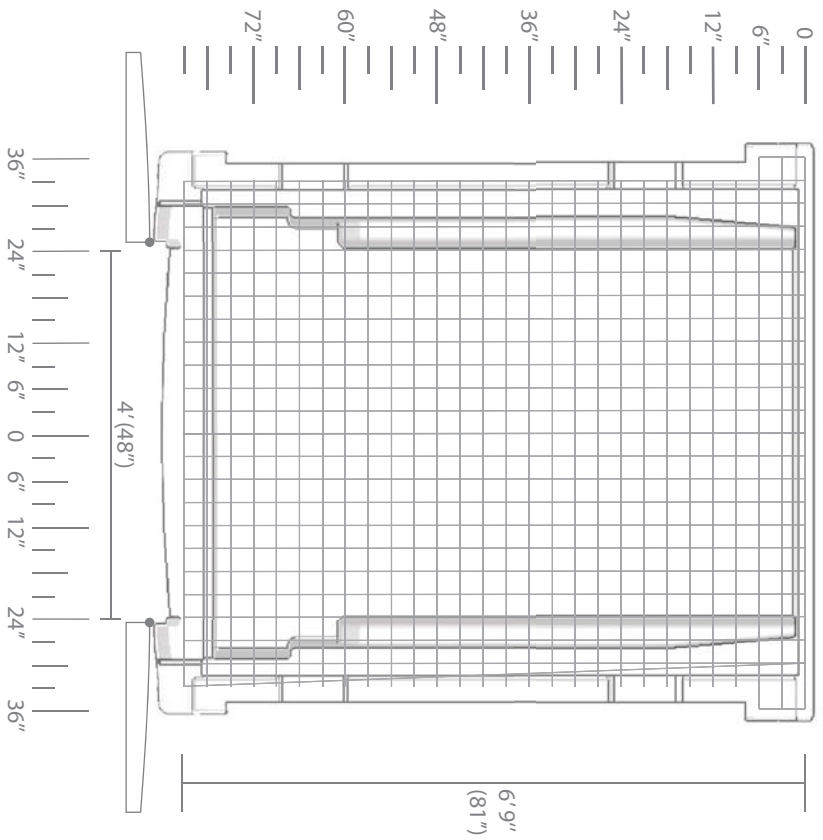
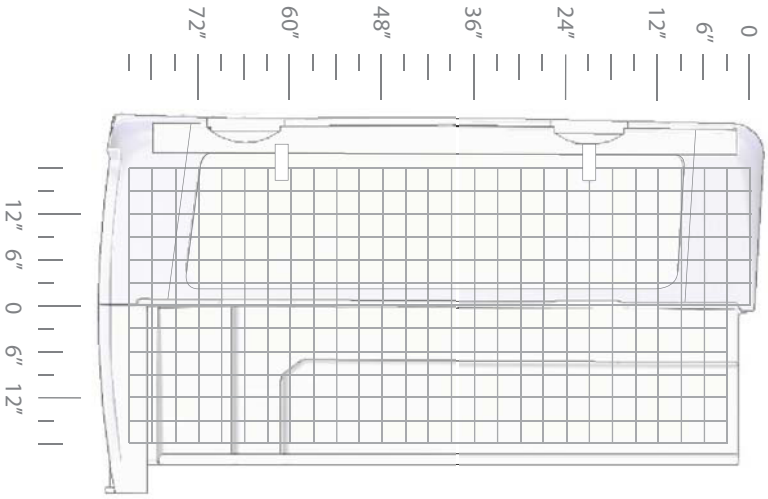
Document scale:
 3" x 3"

- Side acces door CURB SIDE STREET SIDE Side acces door



NOTES:

INSIDE LAYOUT - STREET SIDE



INSIDE LAYOUT - CURB SIDE