

# MARANDA



**M-140 M-170**

---

**Larger, stronger, better built**

# M-140 M-170

The original product defining the standards in this category.

The only capsules made with split molding process. Seamlessly providing rigidity and incomparable strength. Smooth surface inside. Sanded and painted. Automatic slam latch door mechanism with automotive quality.

Keyless remote option available.

Back-up camera, compatible with factory installed screen optional.

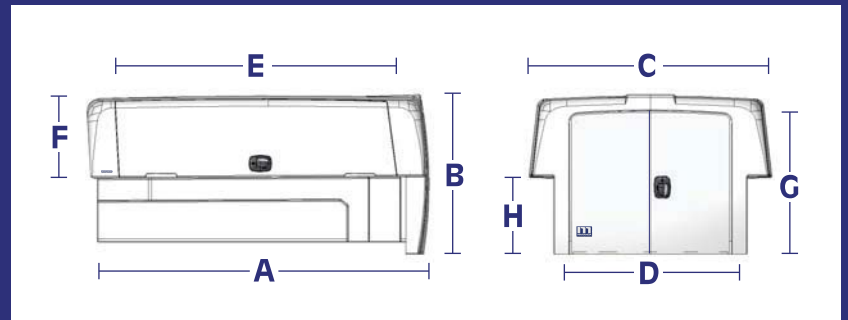
Fits on all full size truck.

Pure resin, no filler = better resistance of the body.

Noise free, odor free and improved safety for the driver.



## MARANDA



A	B	C	D	E	F	G	H	INSIDE VOLUME	TOTAL WEIGHT
81"	44"	72"	49"	64"	24"	42"	22"	140 ft <sup>3</sup>	350 lbs
99"	44"	72"	49"	82"	24"	42"	22"	170 ft <sup>3</sup>	385 lbs

**M-140**  
6'1/2 Bed

**M-170**  
8' Bed

### Montreal area

5930 Rue Barré  
St-Hyacinthe, Qc  
J2R 1E4

### Quebec area

789 chemin Olivier, porte 5  
St-Nicolas, Qc  
G7A 2N1

1-800-646-6084

[www.serdenmaranda.com](http://www.serdenmaranda.com)